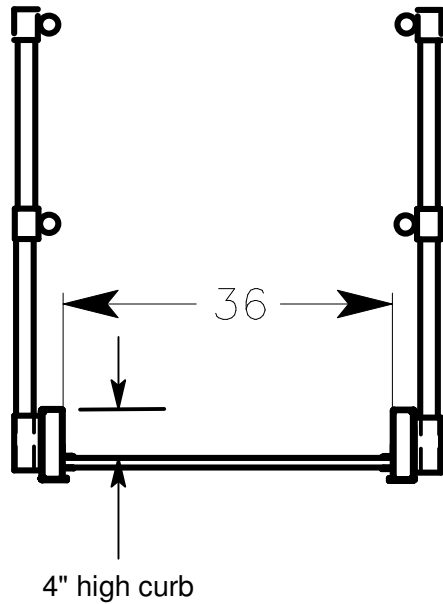
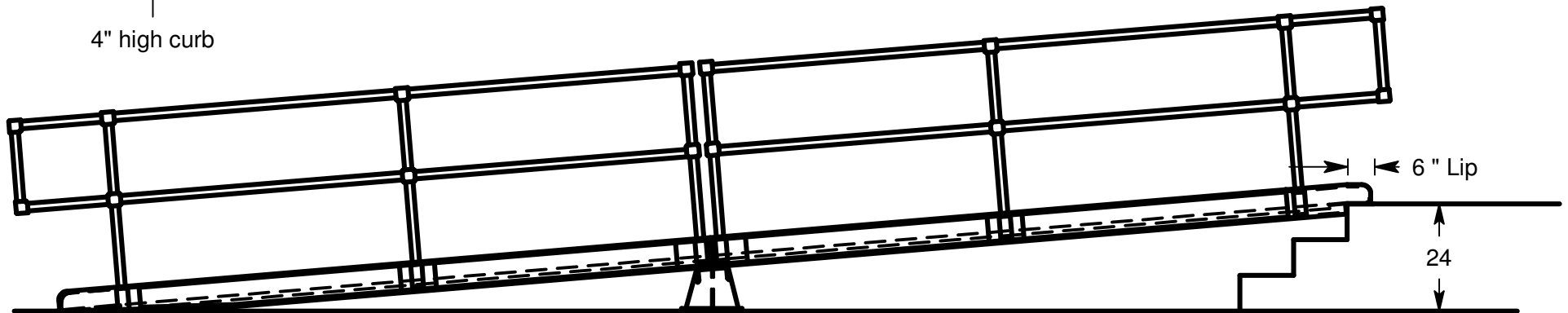


# Typical Aluminum Walkway - Model AWW 36-24.5



Walkways come standard with 4" high curb.  
Posts on are 6' centers or less.  
Hand Railing is made from 1 1/4" Alum Pipe 1.66" OD x 1.33" ID  
Fittings are slip-on for easy replacement if railing becomes damaged.  
Serrated Deck Surface  
Capacity 1200 lbs.  
Standard lengths up to 25' -  
Standard Widths are 30, 36, 38, & 45 useable. Overall is 9" greater.



Walkways that are on an angle are typically set at 1" rise for every 12" of run.  
This ramp is 24' 6" long to go up 24" rise. It is made in two pieces to make it easier to handle and reduce shipping costs.

