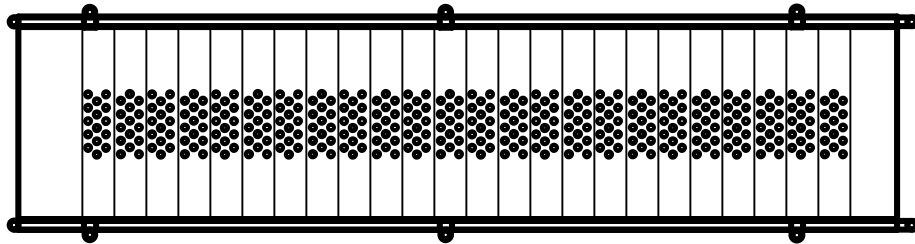
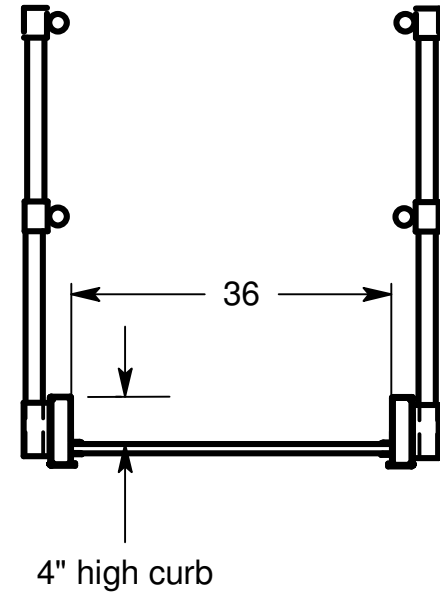


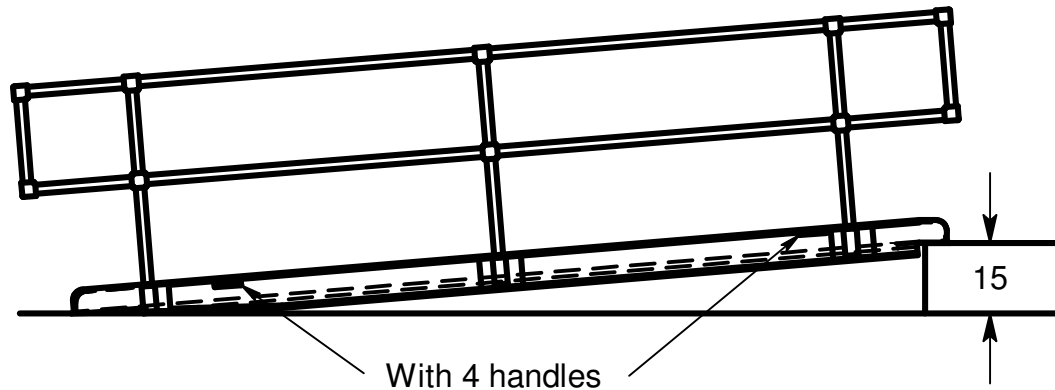
Typical Aluminum Walkway - Model AWW 36-16



Shown with Optional Perforated Deck Surface



4" high curb



With 4 handles

Walkways that are on an angle are typically set at 1" rise for every 12" of run.
This ramp is 16' long to go up 15" rise.
Weight 328 lbs.

Walkways come standard with 4" high curb.
Posts on are 6' centers or less.
Hand Railing is made from 1 1/4" Alum Pipe
1.66" OD x 1.33" ID
Fittings are slip-on for easy replacement if railing becomes damaged.
Serrated Deck Surface (Optional perforations available)
Capacity 1700 lbs.
With four handles
Standard lengths up to 20' -
Standard Widths are 30, 36, 38, & 45 useable.
Overall is 9" greater.



Modern Light Metals
Coloma, MI 49038
269-468-5041