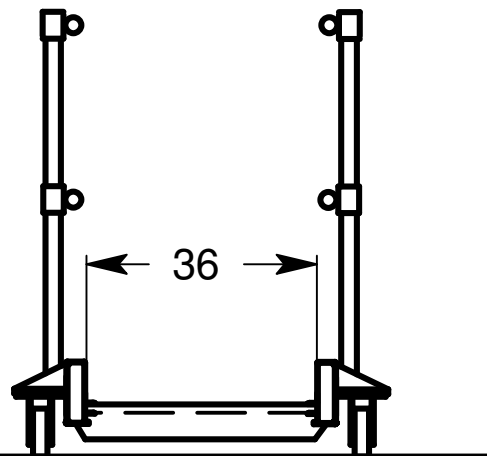


**6" Step required at top
for smooth transition**

Model AGW 36-16

**Capacity 1000 lbs.
With Four Handles for lifting
With 6 x 2 Ridge Casters
Weight 550 lbs.
* With handicap ramp at
bottom - Weight 50 lbs.**

*** Optional**



Modern Light Metals Inc.
Coloma, MI 49038