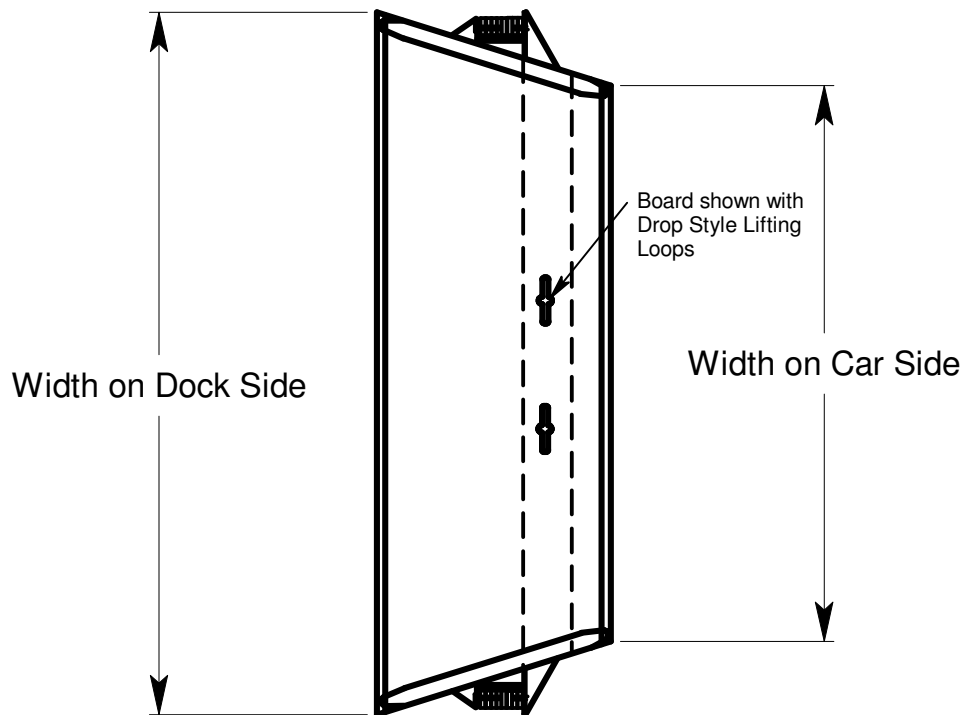


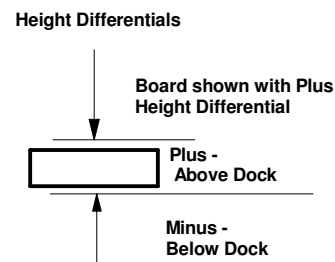
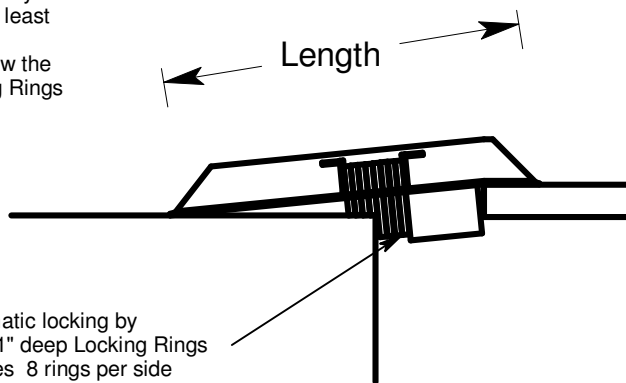
Quotation for: Steel Railroad Dockboard - Type SBF



Modern Light Metals Inc.
Coloma, MI 49038
Ph. 269-468-5041



Note:
If board is to go into a doorway, the doorway width should be at least 12" more than the board width to allow the Automatic Locking Rings to work properly.



Represented By:

Quotation Detail: Model Number

SBF /

Signifies Steel Railroad Dockboard Flared	C	W	W	L	H
Capacity in 1000's of lbs.		Overall Width On Dock Side in Inches	Overall Width At Car Side in Inches	Length in Inches	Max. Height Differential

Non Standard or Optional Items Wanted

Special Lip Length

Lifting Loops

Automatic Locking Rings

Price: Good for 60 days
Terms: _____
Shipment: 14-21 days ARO
F.O.B.: Coloma, Michigan

Thank you for this opportunity to quote. We look forward to helping you in any way we can.

MIM Modern Light Metals, Inc.

Customer Acceptance of this quotation:

By _____ Date _____

Shipping Weight _____
Price of Dockboard (without accessories) _____
Price of _____
Price of _____
Total Unit Price _____
Estimated Frt. Costs _____
Taxes _____
Total _____