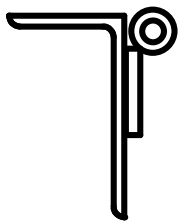
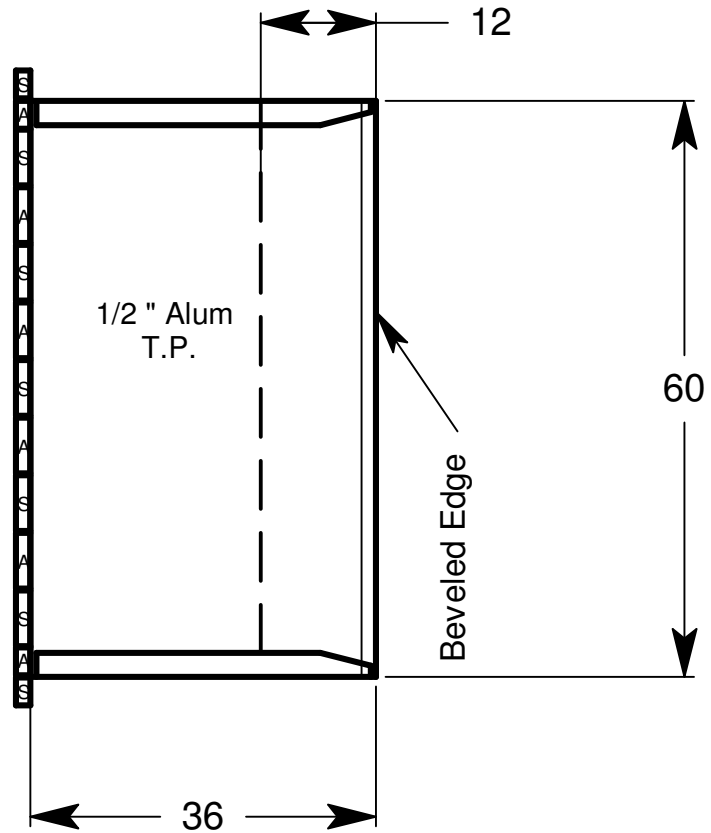


Hinged Aluminum Plate

Piano Style Hinge
Half Alum - Half Steel

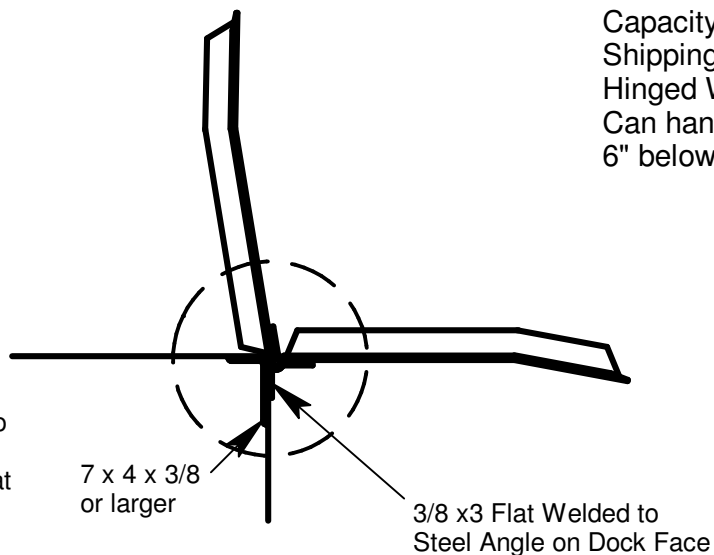
Tube size
1 1/2" OD x 3/4" ID



Steel leaves are approx.
6" wide

Model No. HAPH 60-36
Capacity 10,000 lbs.
Shipping Wt. 160 lbs.
Hinged Wt. 120 lbs.
Can handle trucks from 4" above to
6" below Dock Height

Steel Leaves to
be welded to
Steel Angle that
is imbeded at
Dock Face



Modern Light Metals Inc.
Coloma, MI 49038
Ph. 269-468-5041