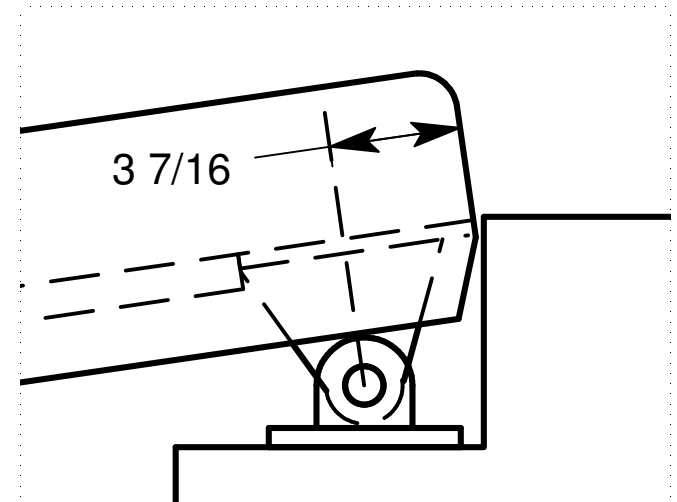
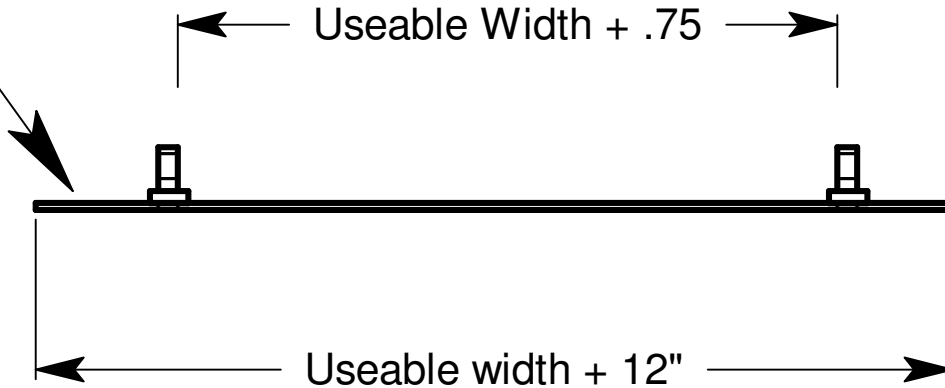


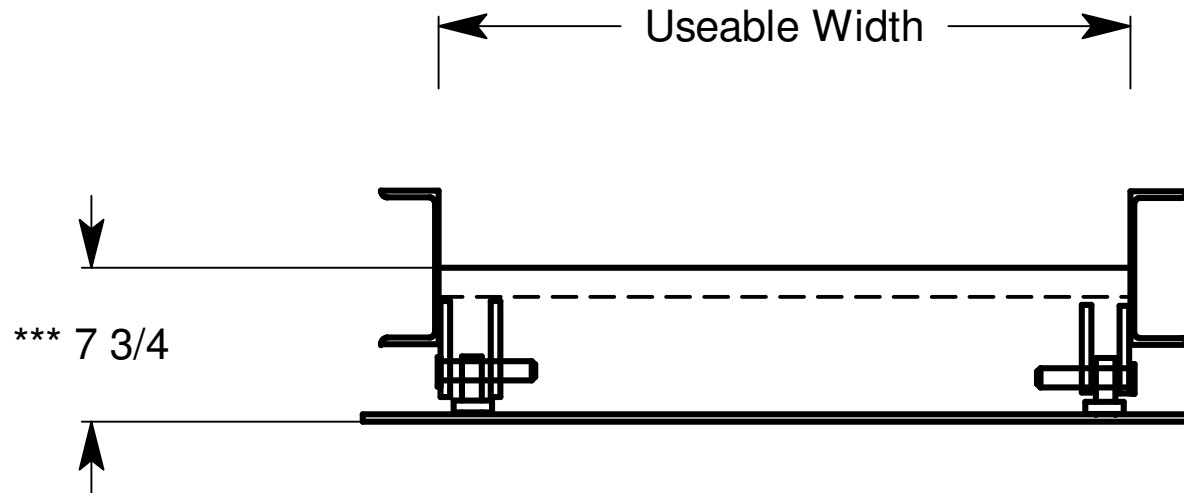
Optional Top Plate:

Plate to be anchored to floor.

You must decide how.



Top End of Aluminum Gangway



Top Surface of Gangway is approx. 7 3/4" up off of ground. You can leave this as a step or try and make a concrete ledge 7 3/4" deep x 8" wide at the top so that you do not have a step to undergo.

