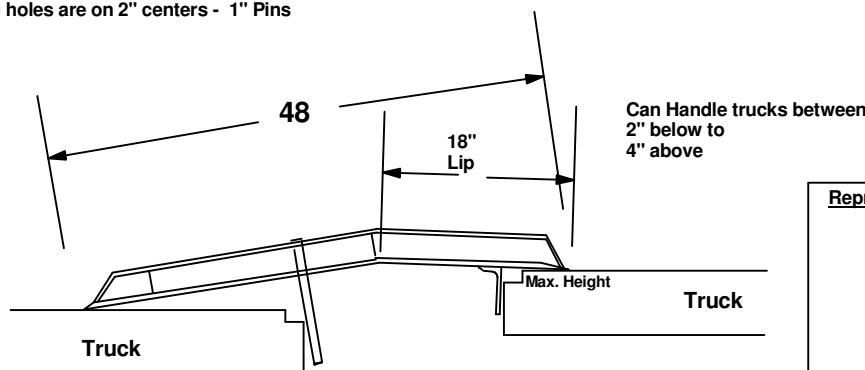
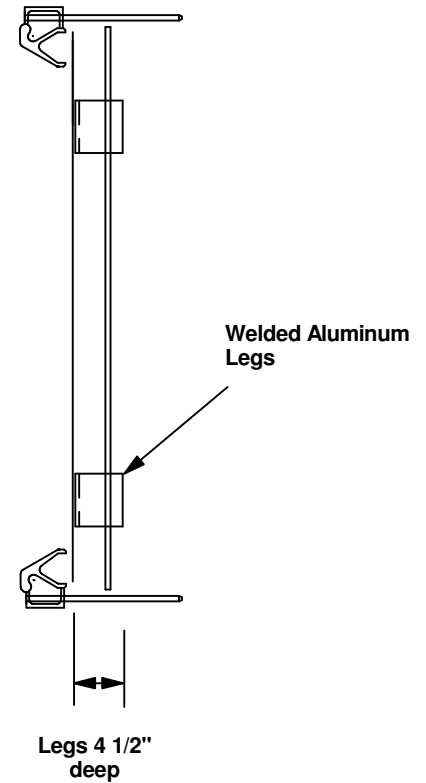
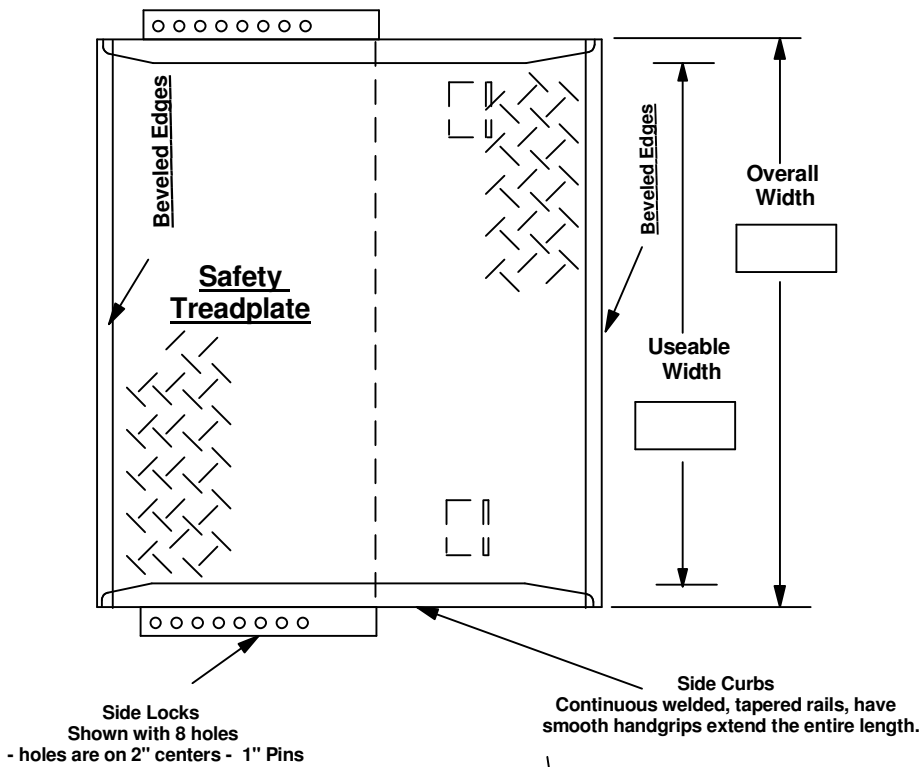


Quotation for: Aluminum Plate with Curbs Between Two Trailers



Modern Light Metals
Coloma, MI 49038



Trucks should park out from 24-36" from each other

Represented By:

<p>Quotation Detail: Model Number</p> <p>APC <input type="text"/> - <input type="text"/> - <input type="text"/> - <input type="text"/></p> <p>Signifies Aluminum Plate with Curbs</p> <table style="width: 100%;"> <tr> <td style="text-align: center;">C</td> <td style="text-align: center;">W</td> <td style="text-align: center;">L</td> <td style="text-align: center;">H</td> </tr> <tr> <td style="text-align: center;">Capacity in 1000's of lbs.</td> <td style="text-align: center;">Overall Width in Inches</td> <td style="text-align: center;">Length in Inches</td> <td style="text-align: center;">Max. Height Differential</td> </tr> </table> <p>Note below any Optional Items Wanted</p> <table style="width: 100%;"> <tr> <td>Special Lip Length</td> <td style="text-align: center;"><input checked="" type="checkbox"/></td> </tr> <tr> <td>8 Hole Side Locks</td> <td style="text-align: center;"><input checked="" type="checkbox"/></td> </tr> <tr> <td>Lifting Pads</td> <td style="text-align: center;"><input type="checkbox"/></td> </tr> <tr> <td>Lifting Chains</td> <td style="text-align: center;"><input type="checkbox"/></td> </tr> </table>	C	W	L	H	Capacity in 1000's of lbs.	Overall Width in Inches	Length in Inches	Max. Height Differential	Special Lip Length	<input checked="" type="checkbox"/>	8 Hole Side Locks	<input checked="" type="checkbox"/>	Lifting Pads	<input type="checkbox"/>	Lifting Chains	<input type="checkbox"/>	<p>Price: Good for 60 days Terms: _____ Shipment: 4-5 days ARO F.O.B.: Coloma, Michigan</p> <p>Thank you for this opportunity to quote. We look forward to helping you in any way we can.</p> <div style="text-align: center;"> <p>Modern Light Metals, Inc. Ph. 269-468-5041</p> </div> <p>Customer Acceptance of this quotation:</p> <p>By _____ Date _____</p>	<p>Shipping Weight _____ Price of Dockboard (without accessories) _____ Price of 8 hole side locks _____ Price of optional items _____</p> <p>Total Unit Price _____ Estimated Frt. Costs _____ Taxes _____</p> <p>Total _____</p>
C	W	L	H															
Capacity in 1000's of lbs.	Overall Width in Inches	Length in Inches	Max. Height Differential															
Special Lip Length	<input checked="" type="checkbox"/>																	
8 Hole Side Locks	<input checked="" type="checkbox"/>																	
Lifting Pads	<input type="checkbox"/>																	
Lifting Chains	<input type="checkbox"/>																	