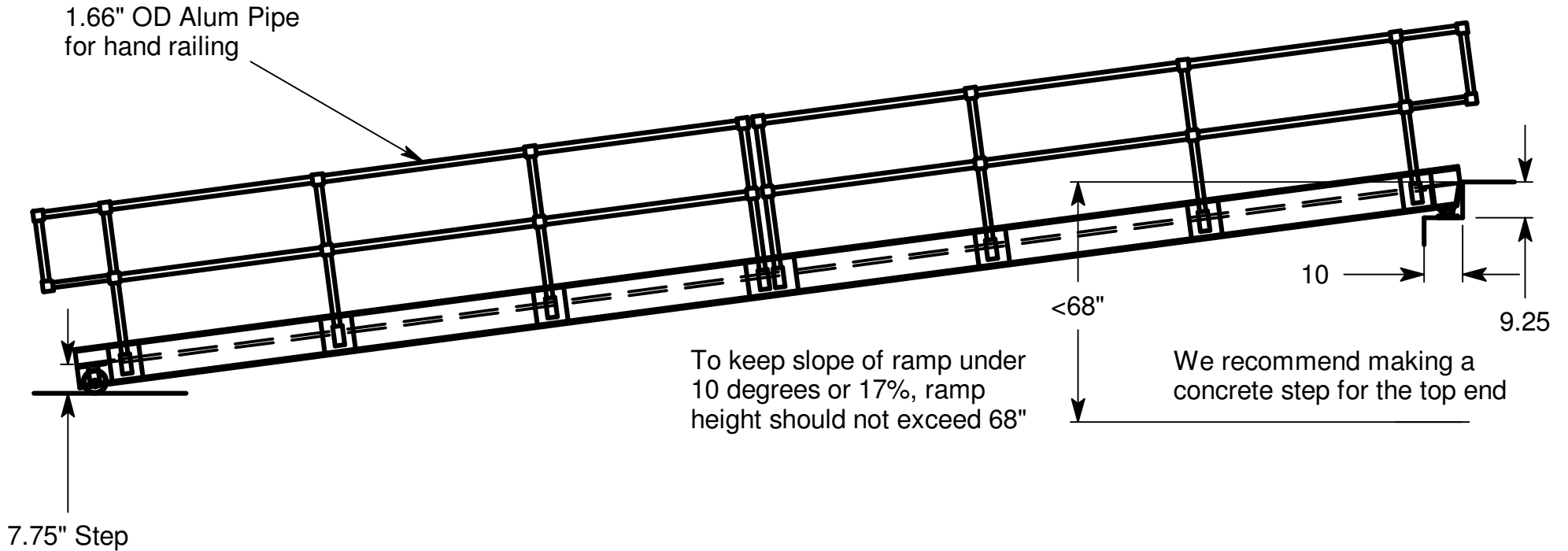
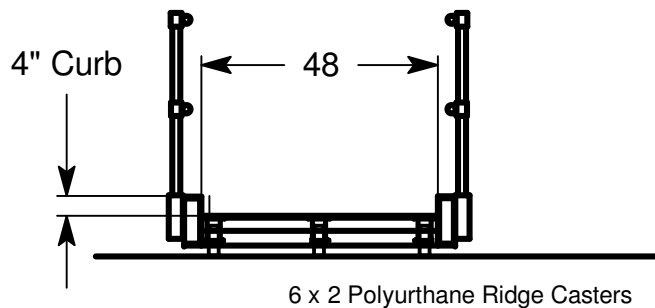


30' Aluminum Gangway

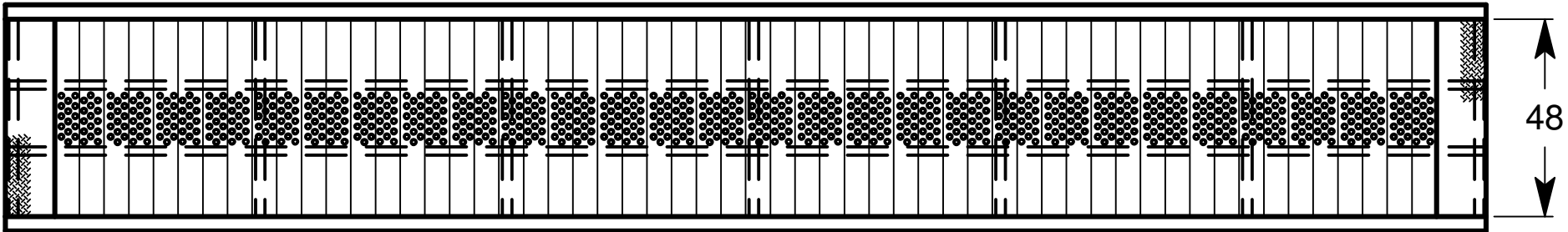


Modern Light Metals Inc.
Coloma, MI 49038
Ph. 269-468-5041



AGW 48-30 Aluminum Gangway
48" useable width
30' long
Capacity 100 lbs./Sq. Foot
Weight 1150 lbs.

30' Aluminum Gangway



Deck surface is serrated and has perforations down center 12 1/2" of Gangway for even better traction



Modern Light Metals Inc.
Coloma, MI 49038
Ph. 269-468-5041